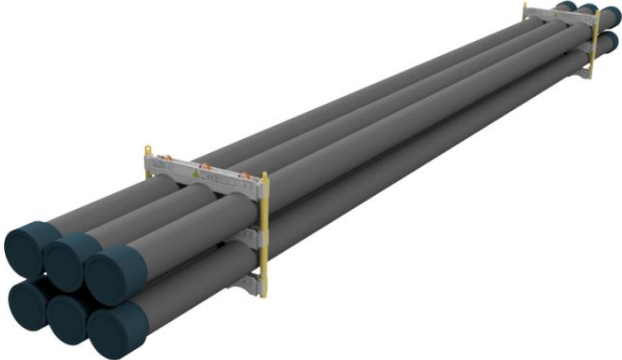
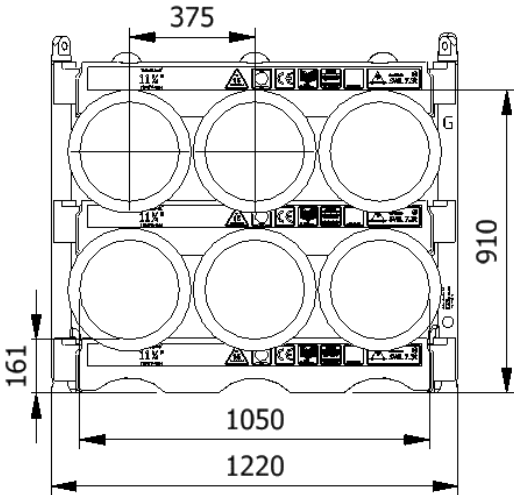




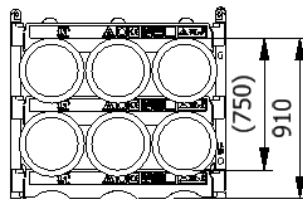
<h2 style="margin: 0;">Datasheet</h2> <h3 style="margin: 0;">1134-1200-2-G</h3>	
SWL	7.3 t
Pipe OD	11-3/4"
Maximum weight per pipe	1191 kg
Pipe capacity per system	6
M20 Bolt length	420mm
Lifting pole	LP - G
H-Profile	1134TU-1200
TL weight per system	154 kg
<p>CODES AND STANDARDS</p> <ul style="list-style-type: none"> • DNVGL-ST-0378 • NORSOK R-002 • LOLER 1998 Lifting operation and lifting equipment regulations • ILO Conversation No. 152 • CE declaration of conformity • Machinery Directive: MD2006/42/EC 	
<p>TEST</p> <ul style="list-style-type: none"> • Load Test 2X SWL on 20% per batch • NDT 100% of Primary per batch before and after test • 5 yearly load test 	
	
	
<p>H-Profile</p> 	<p>Lifting Pole</p> 

Stacking								
Sketch	Systems Stacked	Height (mm)	Joints	Supported	Truck	Boat	Rig	Yard
A	1	910	6		x	x	x	x
B	2	1740	12		(x)	x	x	x
C	3	2560	18	x			x	x
D	4	3390	24	x			x	x

(x): Depending on Truck set-up and regulation

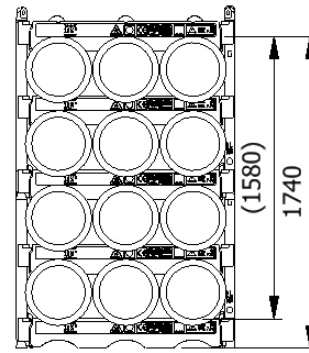
All sketch dimensions in mm

**SINGLE SYSTEM
(6 JOINTS)**



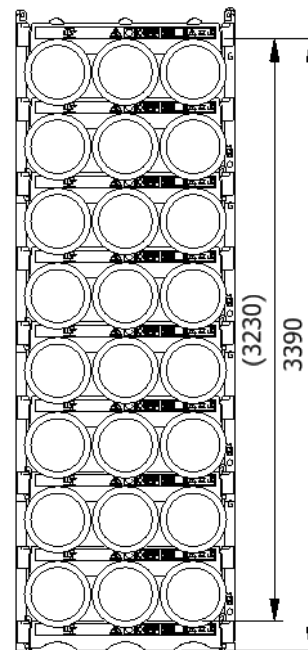
A

**2 SYSTEMS STACKED
(12 JOINTS)**



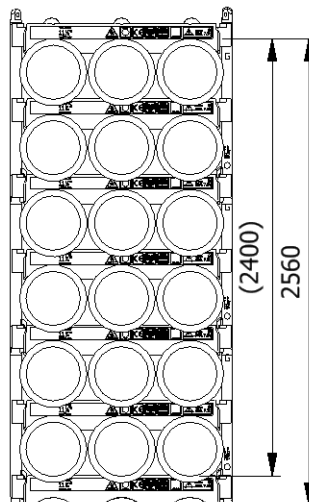
B

**4 SYSTEMS STACKED
(24 JOINTS)**



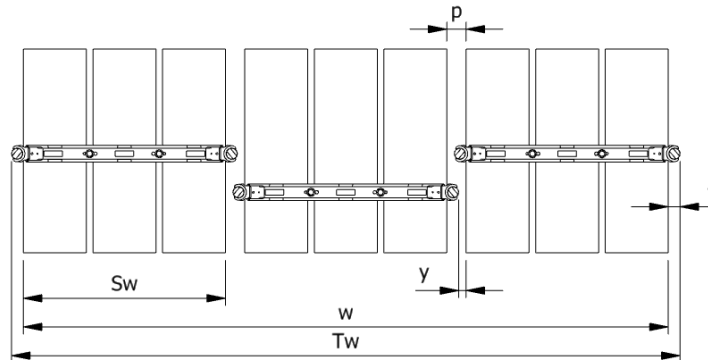
D

**3 SYSTEMS STACKED
(18 JOINTS)**



C

Spacing							
Status	w (width) n (number of rows)	S _w (system width)	k(constant)	y(info)	p(info)	T _w (total width)	f(constant)
Storages	$w = S_w + k \cdot (n - 1)$	1048	1148	0	85	$T_w = w + 2f$	85
Running on rig	$w = S_w + k \cdot (n - 1)$	1048	1173	40	125	$T_w = w + 2f$	85



Example: Top view of Systems

Example:
Spacing of 3 systems

$$w = S_w + k \cdot (n - 1) = 1048 + 1173 \cdot (3 - 1) = 3394mm$$

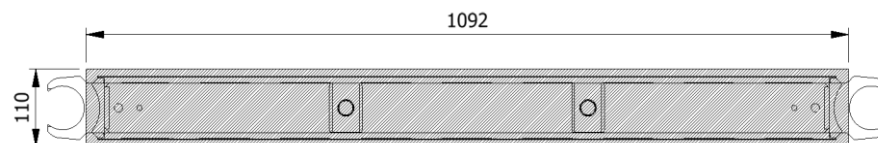
$$T_w = w + 2f = 3394 + 2 \cdot 85 = 3564mm$$

The width “w” for spacing of systems is 3526mm from the first pipe to the last and the total width “T_w” is 3606mm between the 2 outer most Lifting Poles

Footprint

The figure below shows the footprint surface area of a single H-profile.

The footprint is shared between the lowest H-profiles based on the number of frames and the number systems stacked



Example: Footprint Surface Area

Maximum Footprint Table (based on 7.3mT SWL)			
System Stacked	2 frames	3 frames	4 frames
1	298,4 kN/m ²	202,5 kN/m ²	170,5 kN/m ²
2	596,8 kN/m ²	405 kN/m ²	341 kN/m ²
3	895,2 kN/m ²	607,4 kN/m ²	511,5 kN/m ²
4	1193,6 kN/m ²	809,2 kN/m ²	682 kN/m ²