

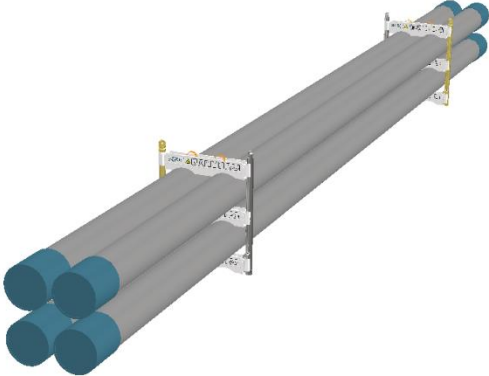
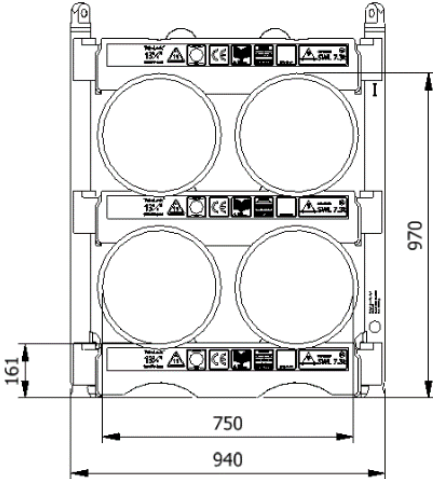
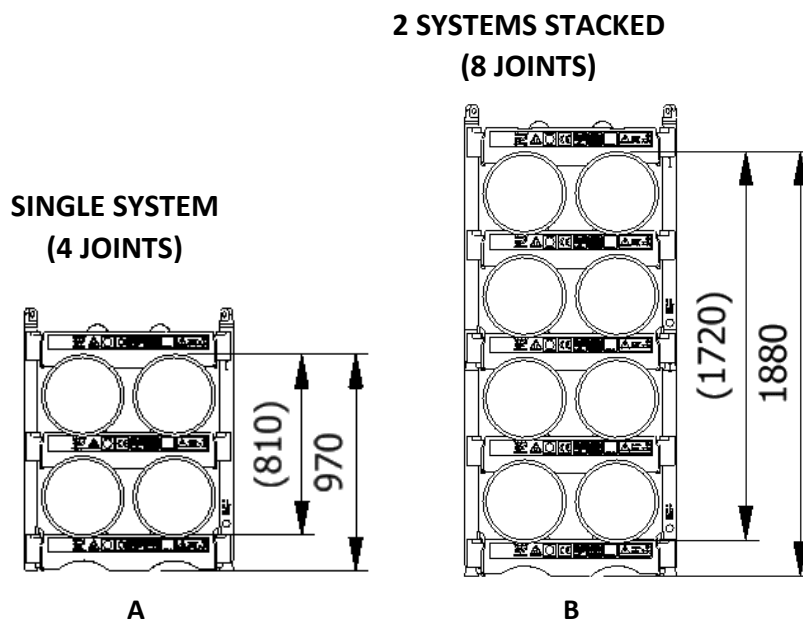


Datasheet 1338-0900-2-I	
SWL	7.3 t
Pipe OD	13-3/8"
Maximum weight per pipe	1795 kg
Pipe capacity per system	4
M20 Bolt length	420mm
Lifting pole	LP - I
H-Profile	1338TU-0900
TL weight per system	117 kg
CODES AND STANDARDS <ul style="list-style-type: none"> DNVGL-ST-0378 NORSOK R-002 LOLER 1998 Lifting operation and lifting equipment regulations ILO Conversation No. 152 CE declaration of conformity Machinery Directive: MD2006/42/EC 	
TEST <ul style="list-style-type: none"> Load Test 2X SWL on 20% per batch NDT 100% of Primary per batch before and after test 5 yearly load test 	
H-Profile 	Lifting Pole 
	
	

Stacking								
Sketch	Systems Stacked	Height (mm)	Joints	Supported	Truck	Boat	Rig	Yard
A	1	970	4		X	X	X	X
B	2	1880	8		X	X	X	X

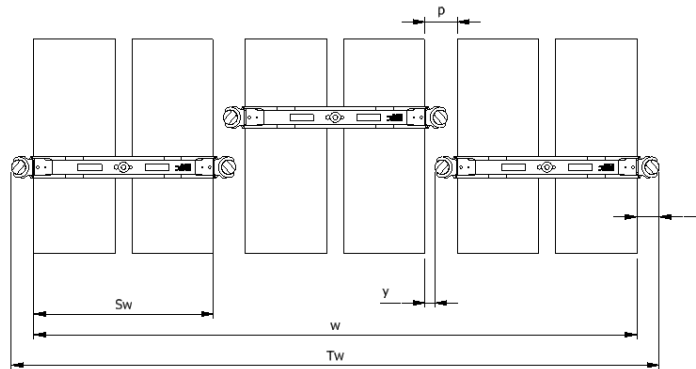
(x): Depending on Truck set-up and regulation

All sketch dimensions in mm



Spacing

Status	w (width) n (number of rows)	S _w (system width)	k(constant)	y(info)	p(info)	T _w (total width)	f(constant)
Storages	$w = S_w + k \cdot (n - 1)$	750	844	0	94	$T_w = w + 2f$	94
Running on rig	$w = S_w + k \cdot (n - 1)$	750	883	40	134	$T_w = w + 2f$	94



Example: Top view of Systems

Example:
Spacing of 3 systems

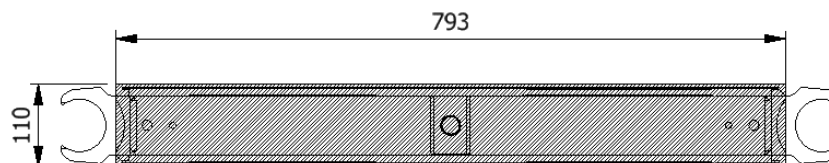
$$w = S_w + k \cdot (n - 1) = 750 + 844 \cdot (3 - 1) = 2438\text{mm}$$

$$T_w = w + 2f = 2438 + 2 \cdot 94 = 2626\text{mm}$$

The width “w” for spacing of systems is 2438mm from the first pipe to the last and the total width “T_w” is 2626mm between the 2 outer most Lifting Poles

Footprint

The figure below shows the footprint surface area of a single H-profile. The footprint is shared between the lowest H-profiles based on the number of frames and the number systems stacked



Example: Footprint Surface Area

Maximum Footprint Table (based on 7.3mT SWL)

System Stacked	2 frames	3 frames	4 frames
1	410,9 kN/m ²	278,8 kN/m ²	234,8 kN/m ²
2	821,8 kN/m ²	557,7 kN/m ²	469,6 kN/m ²
3	1232,7 kN/m ²	836,5 kN/m ²	704,4 kN/m ²
4	1643,6 kN/m ²	1115,3 kN/m ²	939,2 kN/m ²
5			
6			
7			
8			