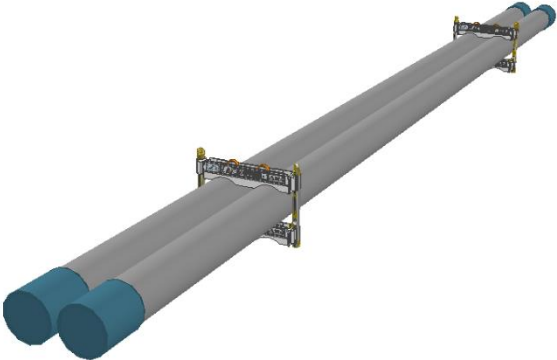
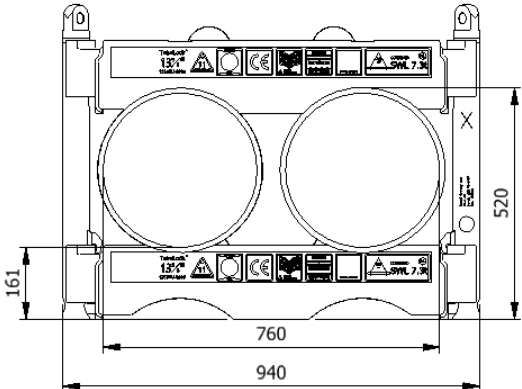




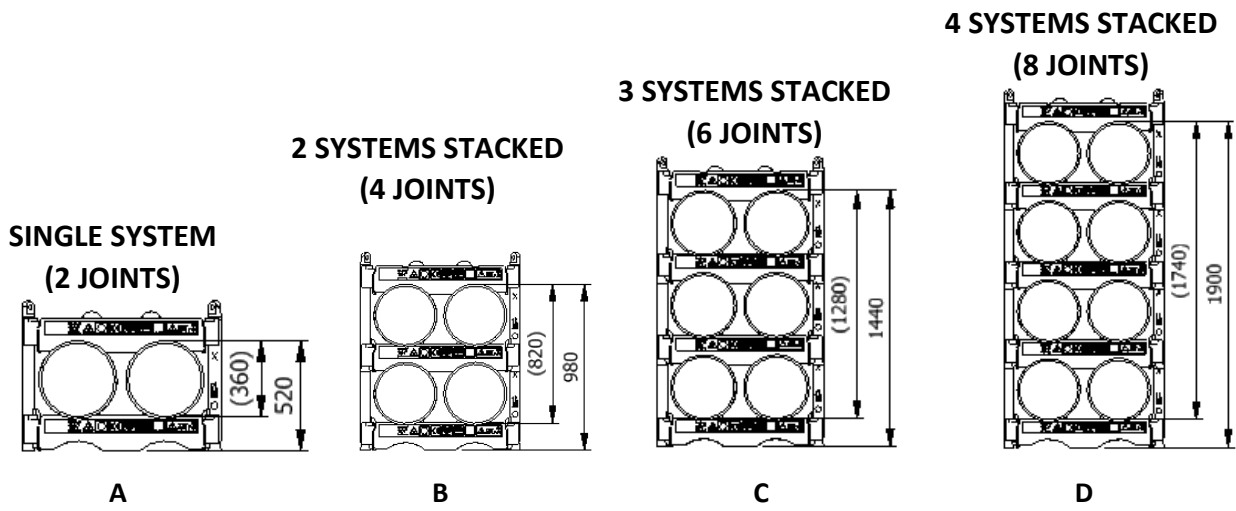
<h2 style="margin: 0;">Datasheet</h2> <h3 style="margin: 0;">1358-0900-1-X</h3>		
SWL	7.3 t	
Pipe OD	13-5/8"	
Maximum weight per pipe	3607 kg	
Pipe capacity per system	2	
M20 Bolt length	430mm	
Lifting pole	LP - X	
H-Profile	1358TU-0900	
TL weight per system	86 kg	
<p><b>CODES AND STANDARDS</b></p> <ul style="list-style-type: none"> <li>DNVGL-ST-0378</li> <li>NORSOK R-002</li> <li>LOLER 1998 Lifting operation and lifting equipment regulations</li> <li>ILO Conversation No. 152</li> <li>CE declaration of conformity</li> <li>Machinery Directive: MD2006/42/EC</li> </ul>		
<p><b>TEST</b></p> <ul style="list-style-type: none"> <li>Load Test 2X SWL on 20% per batch</li> <li>NDT 100% of Primary per batch before and after test</li> <li>5 yearly load test</li> </ul>		
<p><b>H-Profile</b></p> 		<p><b>Lifting Pole</b></p> 

## Stacking

Sketch	Systems Stacked	Height (mm)	Joints	Supported	Truck	Boat	Rig	Yard
A	1	520	2		X	X	X	X
B	2	980	4		X	X	X	X
C	3	1440	6		X	X	X	X
D	4	1900	8		(X)	X	X	X

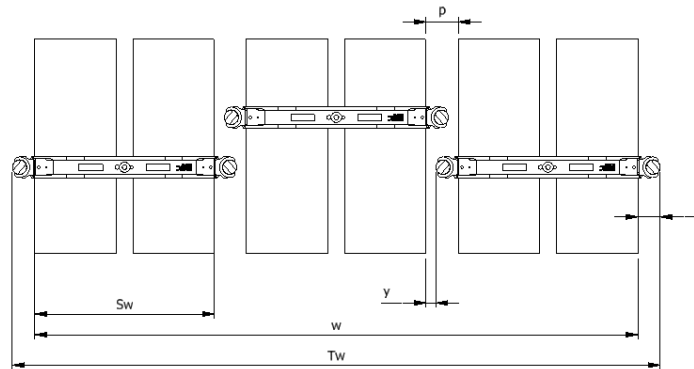
(X): Depending on Truck set-up and regulation

All sketch dimensions in mm



## Spacing

Status	w (width) n (number of rows)	S <sub>w</sub> (system width)	k(constant)	y(info)	p(info)	T <sub>w</sub> (total width)	f(constant)
<b>Storages</b>	$w = S_w + k \cdot (n - 1)$	756	847	0	91	$T_w = w + 2f$	91
<b>Running on rig</b>	$w = S_w + k \cdot (n - 1)$	756	887	40	131	$T_w = w + 2f$	91



Example: Top view of Systems

Example:  
Spacing of 3 systems

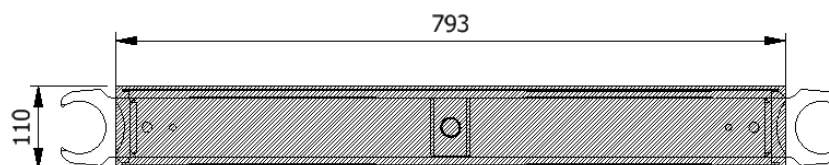
$$w = S_w + k \cdot (n - 1) = 756 + 847 \cdot (3 - 1) = 2530\text{mm}$$

$$T_w = w + 2f = 2530 + 2 \cdot 91 = 2712\text{mm}$$

The width “w” for spacing of systems is 2530mm from the first pipe to the last and the total width “T<sub>w</sub>” is 2712mm between the 2 outer most Lifting Poles

## Footprint

The figure below shows the footprint surface area of a single H-profile. The footprint is shared between the lowest H-profiles based on the number of frames and the number systems stacked



Example: Footprint Surface Area

**Maximum Footprint Table (based on 7.3mT SWL)**

System Stacked	2 frames	3 frames	4 frames
1	410,9 kN/m <sup>2</sup>	278,8 kN/m <sup>2</sup>	234,8 kN/m <sup>2</sup>
2	821,8 kN/m <sup>2</sup>	557,7 kN/m <sup>2</sup>	469,6 kN/m <sup>2</sup>
3	1232,7 kN/m <sup>2</sup>	836,5 kN/m <sup>2</sup>	704,4 kN/m <sup>2</sup>
4	1643,6 kN/m <sup>2</sup>	1115,3 kN/m <sup>2</sup>	939,2 kN/m <sup>2</sup>
5			
6			
7			
8			