

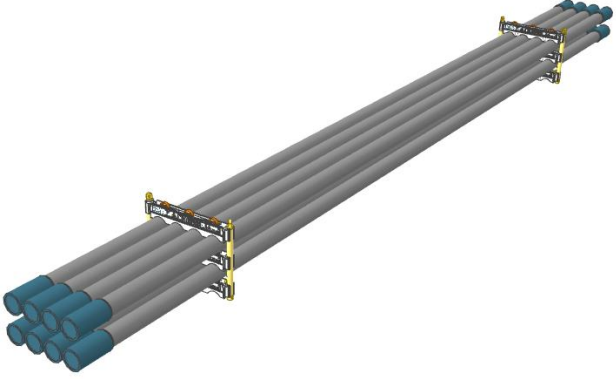
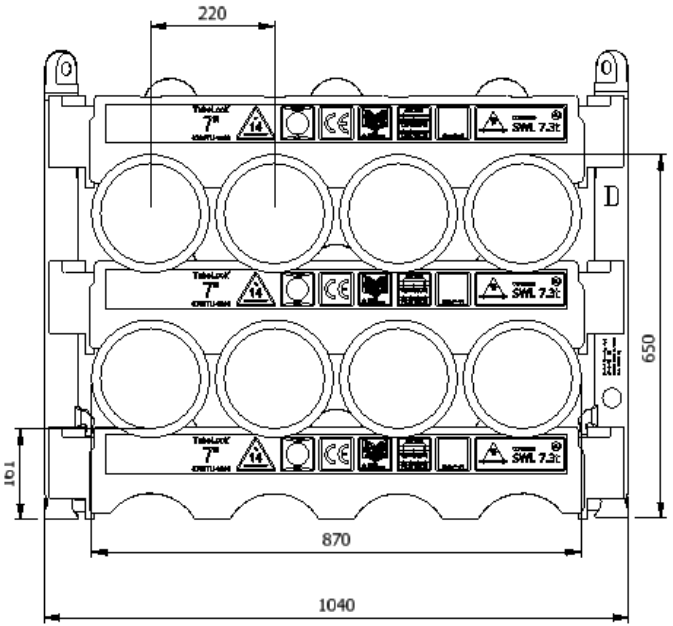


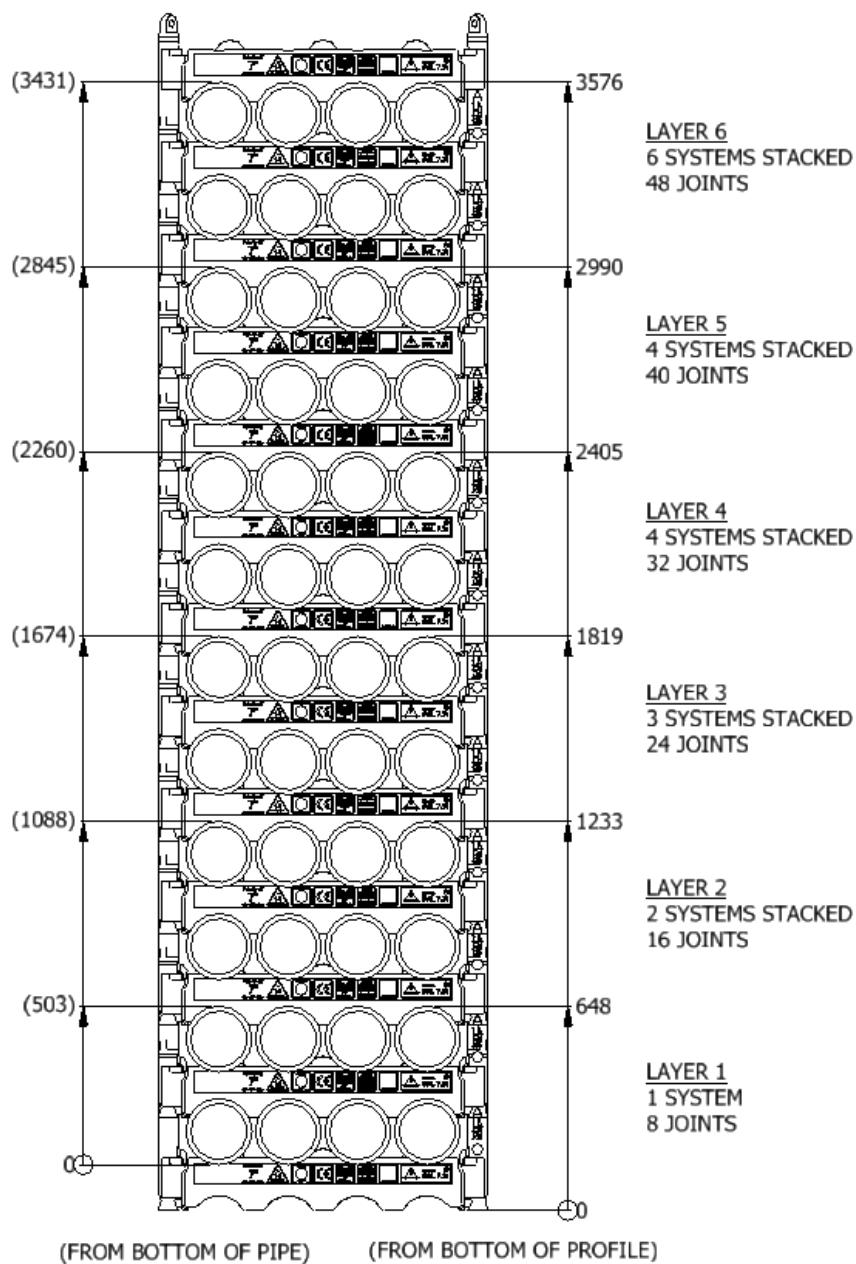
Data sheet 700TU-1000-2-D	
SWL	7.3 t
Pipe OD	7"
Maximum weight per pipe	898kg
Pipe capacity per system	8
M20 Bolt length	260mm
Lifting pole	LP - D
H-Profile	0700TU-1000
TL weight per system	120 kg
CODES AND STANDARDS <ul style="list-style-type: none"> DNVGL-ST-0378 NORSOK R-002 LOLER 1998 Lifting operation and lifting equipment regulations ILO Conversation No. 152 CE declaration of conformity Machinery Directive: MD2006/42/EC 	
TEST <ul style="list-style-type: none"> Load Test 2X SWL on 5% per batch NDT 100% of Primary per batch before and after test 	
H-Profile 	Lifting Pole 
	
	

Stacking

Layer	Systems Stacked	Height (mm)	Joints	Supported	Truck	Boat	Rig	Yard
1	1	650	8		x	x	x	x
2	2	1250	16		x	x	x	x
3	3	1840	24		(x)	x	x	x
4	4	2430	32		(x)		x	x
5	5	3020	40	x			x	x
6	6	3620	48	x			x	x

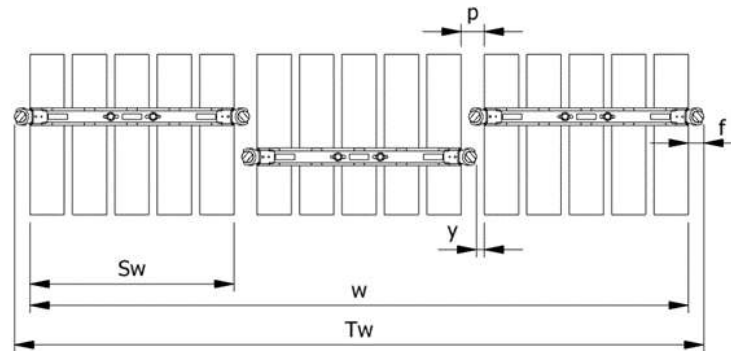
(x): Depending on Truck set-up and regulation

All sketch dimensions in mm



Spacing

Status	w (width) n (number of rows)	S _w (system width)	k(constant)	y(info)	p(info)	T _w (total width)	f(constant)
Storages	$w = S_w + k \cdot (n - 1)$	840	940	0	100	$T_w = w + 2f$	100
Running on rig	$w = S_w + k \cdot (n - 1)$	840	980	40	140	$T_w = w + 2f$	100



Example: Top view of Systems

Example:
Spacing of 3 systems

$$w = S_w + k \cdot (n - 1) = 840 + 940 \cdot (3 - 1) = 2720\text{mm}$$

$$T_w = w + 2f = 2720 + 2 \cdot 100 = 2920\text{mm}$$

The width "w" is the distance between the 2 outer most pipes
The total width "T_w" is between the 2 outer most Lifting Poles

Footprint

The figure below shows the footprint surface area of a TubeLock® system.
Each additional system stacked, will be added to the total footprint.

	System Stacked	Footprint
	1	6 kN/m ²
	2	12 kN/m ²
	3	18 kN/m ²
	4	24 kN/m ²
	5	30 kN/m ²
	6	36 kN/m ²